

Substrate Preparation Before Graphic Application

1. General Cleaning

A. Use detergent and water to clean the substrate.

- Wash the substrate with 1 ounce of synthetic detergent per gallon of lukewarm water. Avoid soaps or preparations that contain waxes, oils or lotions. Be aware that some window cleaners contain waxes.

B. Dry thoroughly with clean, lint-free paper towels.

Note: Porous materials absorb moisture. Provide adequate time and conditions to dry.

2. Isopropyl Alcohol Cleaning

Note: Isopropyl alcohol evaporates quickly: you must wipe the substrate before it evaporates. The evaporation rate increases in warm and/or windy environments.

A. Saturate a clean paper towel with isopropyl alcohol (IPA).

- If you are using industrial grade IPA, mix it in a ratio of 2 parts IPA to 1 part water.
- If you are using rubbing alcohol, do not dilute it.

B. Wipe with a lint-free paper towel before the IPA evaporates from the substrate. As the paper towel becomes dirty, discard it. A dirty towel does not remove dirt.


C. Make sure the substrate is completely dry. If necessary, use a heat gun to dry out any retained moisture.

D. Apply the graphic immediately. Dust and contaminants prevent the adhesive from performing as expected.

Vinyl Application Guide

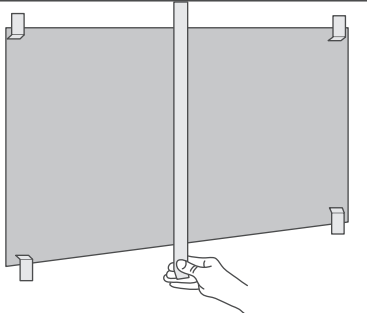
1

Wipe the substrate, removing dust and any obvious contaminants.



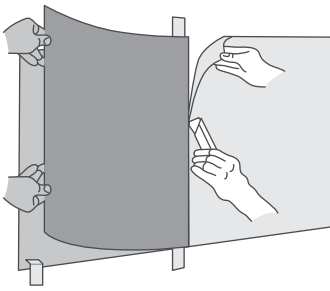
2

Align the graphic on the substrate, and tape it in place as shown. Place a long strip of masking tape as shown.



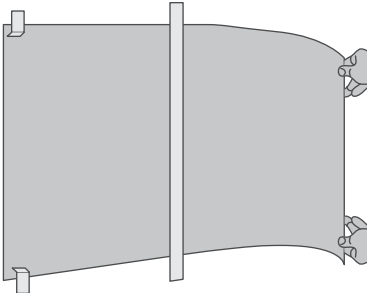
3

Remove the short strips of tape from one side. Pull the film away from the liner all the way to the long strip of tape. Carefully cut off the liner.



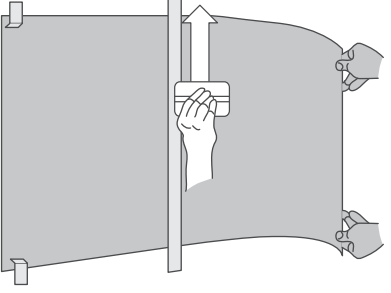
4

Allow the part of the graphic near the centre tape to lie against the substrate. Gently hold the rest of the graphic away from the substrate.



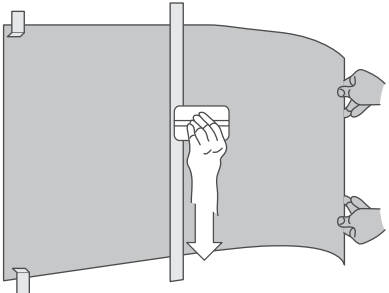
5

Begin at the centre and squeegee up.



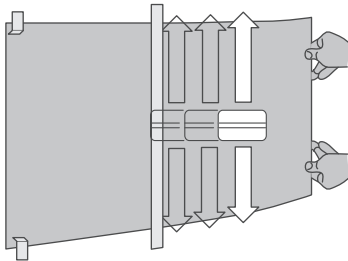
6

Return to the centre, and squeegee down.



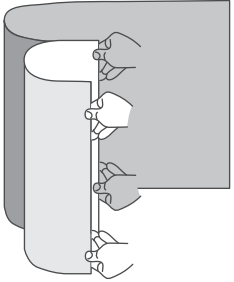
7

Move the squeegee about two inches right. Repeat Steps 6 and 7 across the graphic allowing more of the graphic to lay against the substrate as you work right.



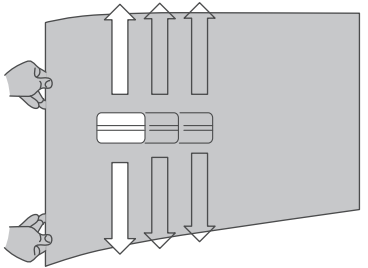
8

Remove the remaining masking tape. Lift the left side of the film and remove the remaining liner.



9

Repeat Steps 5, 6, and 7 across the other side of the graphic.



10

Re-squeegee the outer 3 inches of the entire graphic to ensure good edge adhesion.

